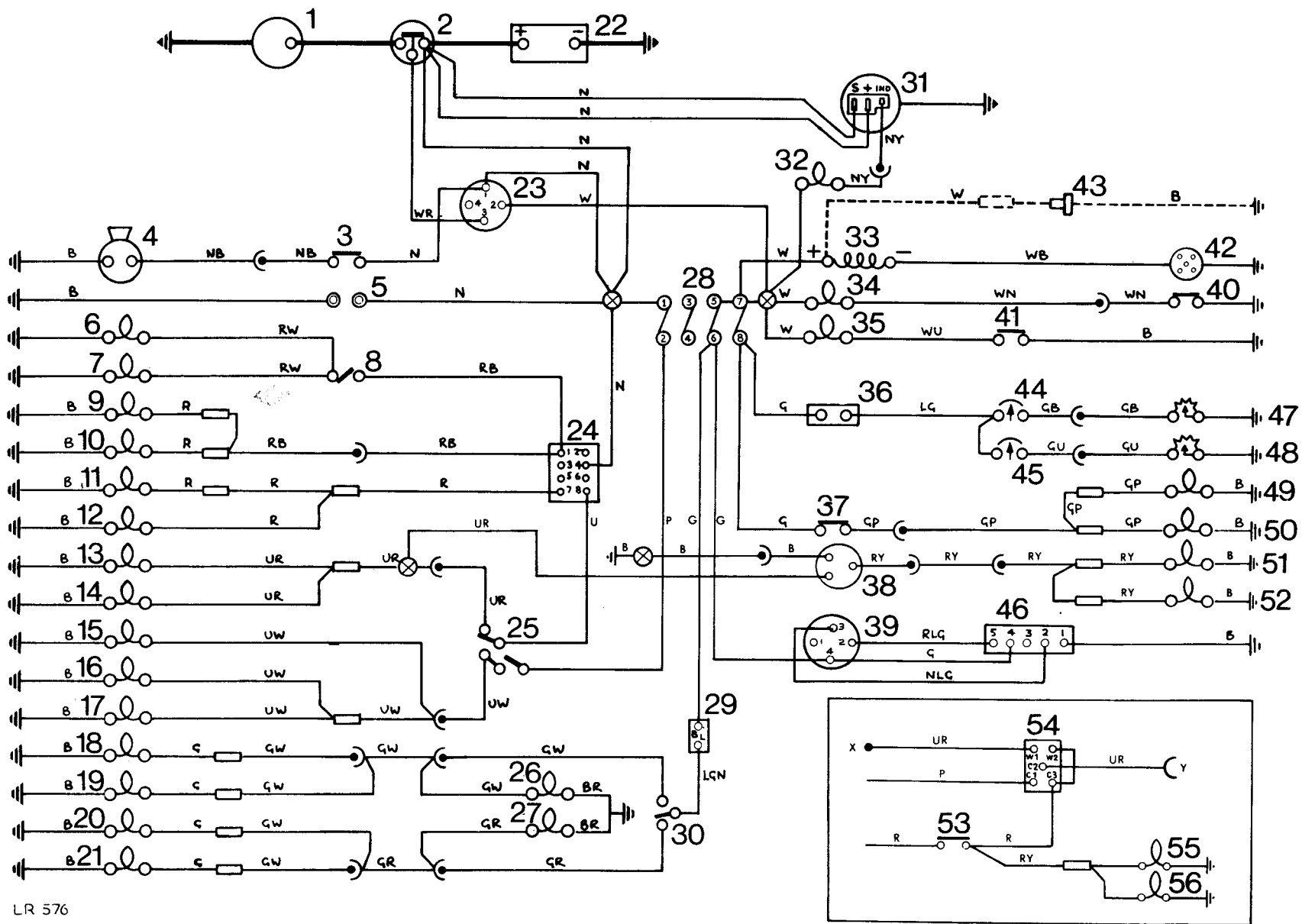


CIRCUIT DIAGRAM 2¼ AND 2.6 LITRE PETROL MODELS, R.H. AND L.H. STEERING, NEGATIVE EARTH INCLUDING FOG LAMPS AND REAR FOG-GUARD LAMPS



LR 576

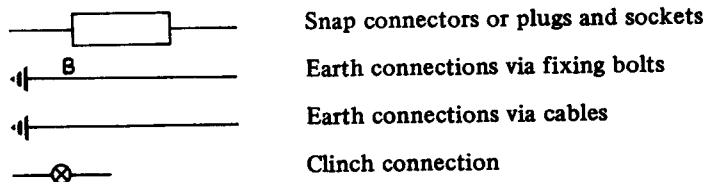
KEY TO CIRCUIT DIAGRAM 2¼ AND 2.6 LITRE PETROL MODELS, R.H. AND L.H. STEERING, NEGATIVE EARTH INCLUDING FOG LAMPS AND REAR FOG-GUARD LAMPS

| | | | | | |
|----|--------------------------------------|----|--|----|--|
| 1 | Starter motor | 20 | Direction indicator lamp, front L.H. | 38 | Rear fog lamp switch and warning light |
| 2 | Solenoid, starter motor | 21 | Direction indicator lamp, rear L.H. | 39 | Switch, windscreen wiper |
| 3 | Switch for horns | 22 | Battery | 40 | Switch, oil pressure |
| 4 | Horns | 23 | Switch, ignition and starter | 41 | Switch, choke |
| 5 | Inspection sockets | 24 | Switch, lights | 42 | Distributor |
| 6 | Instrument panel illumination | 25 | Switch, headlamp flash and dip | 43 | Fuel pump (6-cylinder models only) |
| 7 | Instrument panel illumination | 26 | Warning light, indicator R.H. | 44 | Fuel gauge |
| 8 | Switch, panel lights | 27 | Warning light, indicator L.H. | 45 | Water temperature gauge |
| 9 | Tail lamp, L.H. | 28 | Fuses, 1 to 8, 35 amp | 46 | Screenwiper motor |
| 10 | Tail lamp, R.H. | 29 | Indicator unit, flasher | 47 | Fuel tank unit |
| 11 | Side lamp, L.H. | 30 | Switch, direction indicators | 48 | Water temperature transmitter |
| 12 | Side lamp, R.H. | 31 | Alternator, Lucas 16 ACR | 49 | Stop lamp, L.H. |
| 13 | Headlamp, L.H. dipped beam | 32 | Warning light, ignition | 50 | Stop lamp, R.H. |
| 14 | Headlamp, R.H. dipped beam | 33 | Ignition coil | 51 | Rear fog lamp, R.H. |
| 15 | Warning light, headlamp main beam | 34 | Warning light, oil pressure | 52 | Rear fog lamp, L.H. |
| 16 | Headlamp, L.H. main beam | 35 | Warning light, choke | 53 | Front fog lamp switch |
| 17 | Headlamp, R.H. main beam | 36 | Voltage stabilizer, fuel gauge and water temperature gauge | 54 | Fog lamp change over relay |
| 18 | Direction indicator lamp, rear R.H. | 37 | Switch, stop lamp | 55 | Front fog lamp, L.H. |
| 19 | Direction indicator lamp, front R.H. | | | 56 | Front fog lamp, R.H. |

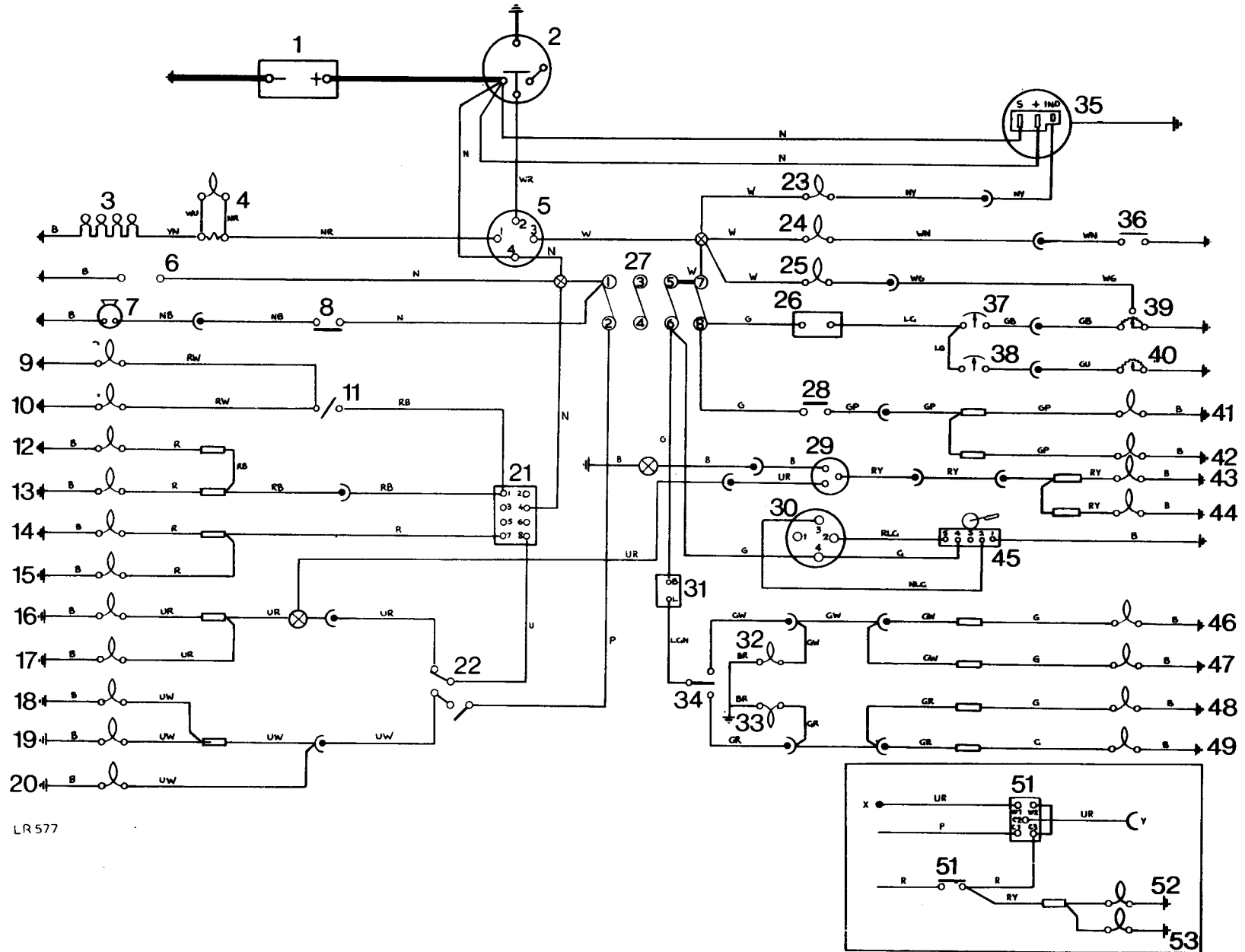
Key to cable colours

| | | | |
|---|--------|---|--------|
| B | Black | R | Red |
| G | Green | U | Blue |
| L | Light | W | White |
| N | Brown | Y | Yellow |
| P | Purple | | |

The last letter of a colour code denotes the tracer colour.



CIRCUIT DIAGRAM 2 1/4 LITRE 4-CYLINDER DIESEL MODELS, R.H. AND L.H. STEERING, NEGATIVE EARTH INCLUDING FOG LAMPS AND REAR FOG-GUARD LAMPS



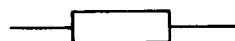


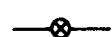
KEY TO CIRCUIT DIAGRAM 2¼ LITRE 4-CYLINDER DIESEL MODELS, R.H. AND L.H. STEERING, NEGATIVE EARTH INCLUDING FOG LAMPS AND REAR FOG-GUARD LAMPS

| | | | | | |
|----|---------------------------------------|----|--|----|-----------------------------------|
| 1 | Battery | 19 | Headlamp, R.H. main beam | 37 | Fuel gauge |
| 2 | Starter motor solenoid | 20 | Headlamp main beam warning light | 38 | Water temperature gauge |
| 3 | Heater plugs | 21 | Lighting switch | 39 | Fuel tank unit |
| 4 | Cold start warning light and resistor | 22 | Switch, headlamp dip and flash | 40 | Water temperature transmitter |
| 5 | Start solenoid and switch | 23 | Charge warning light | 41 | Stop lamp, L.H. |
| 6 | Inspection sockets | 24 | Oil pressure warning light | 42 | Stop lamp, R.H. |
| 7 | Horn | 25 | Warning light, low fuel level | 43 | L.H. rear fog-guard lamp |
| 8 | Horn switch | 26 | Voltage stabilizer unit | 44 | R.H. rear fog-guard lamp |
| 9 | Instrument panel illumination | 27 | Fuses | 45 | Wiper motor |
| 10 | Instrument panel illumination | 28 | Stop lamp switch | 46 | R.H. front indicator |
| 11 | Panel light switch | 29 | Rear fog-guard lamp switch and indicator | 47 | R.H. rear indicator |
| 12 | Tail lamp, L.H. | 30 | Windscreen wiper switch | 48 | L.H. rear indicator |
| 13 | Tail lamp, R.H. | 31 | Flasher indicator unit | 49 | L.H. front indicator |
| 14 | Side lamp, R.H. | 30 | R.H. indicator warning light | 50 | Fog lamp change over relay |
| 15 | Side lamp, L.H. | 33 | L.H. indicator warning light | 51 | Front fog lamp switch |
| 16 | Headlamp, R.H. dipped beam | 34 | Indicator switch | 52 | L.H. front fog lamp } (if fitted) |
| 17 | Headlamp, L.H. dipped beam | 35 | Alternator | 53 | R.H. front fog lamp } |
| 18 | Headlamp, L.H. main beam | 36 | Oil pressure switch | | |

Key to cable colours

| | | | |
|---|--------|---|--------|
| B | Black | R | Red |
| G | Green | U | Blue |
| L | Light | W | White |
| N | Brown | Y | Yellow |
| P | Purple | | |

The last letter of a colour code denotes the tracer colour

| | |
|--|---|
|  | Snap connection and/or plugs and sockets |
|  | Earth connections via cables |
|  | Earth connections via terminals or fixing bolts |
|  | Clinch connection |